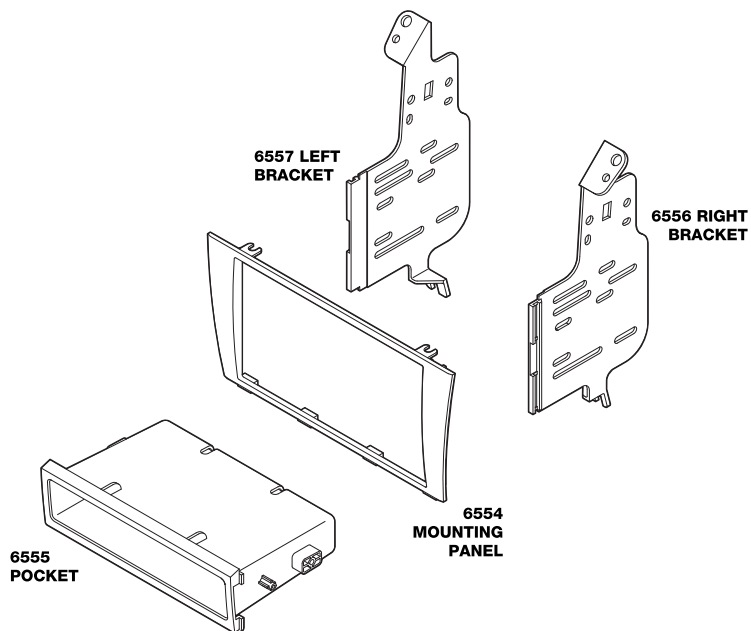


**IN-DASH INSTALLATION KIT FOR
2001-05 LEXUS IS300 VEHICLES**



INTRODUCTION / PRELIMINARY

This premium installation kit is for 2001-05 Lexus IS300 vehicles. Included are all the parts you need to mount your car stereo or CD player into your vehicle's dash. Refer to the individual instruction in this manual to remove your vehicle's factory radio and assemble the kit.

CAUTION

DISCONNECT YOUR VEHICLE'S NEGATIVE BATTERY TERMINAL BEFORE THE INSTALLATION TO HELP PREVENT ELECTRICAL DAMAGE. WE RECOMMEND THE USE OF A VOLT/OHM METER OVER A TEST LIGHT TO CHECK WIRING. A TEST LIGHT OR GROUNDED WIRE PROBE CAN CAUSE DAMAGE TO THE VEHICLE'S COMPUTER AND/OR DIAGNOSTIC SYSTEMS. AVOID ALL FACTORY AIRBAG WIRING - AIRBAGS CAN ACCIDENTALLY DEPLOY CAUSING SERIOUS INJURY OR DEATH.

NOTES

- See your vehicle's instructions for any special tools your installation might require.
- Read all instructions accompanying your car stereo for proper wiring and mounting instructions.

FACTORY WIRING CODES

For Factory Wiring Codes go to: www.scosche-cars.com

LIABILITY DISCLAIMER

This instruction booklet is based on carefully documented data and research of automobile dash disassembly, wire harness/codes and information pertaining to installation of this kit (LS2075B) in 2001-05 Lexus IS300 vehicles. Scosche Industries, Inc. can not be held responsible for discrepancies/inconsistencies that may occur due to the automobile manufacturing changes or options, or damage that may occur in the automobile during the installation of components while using this booklet.

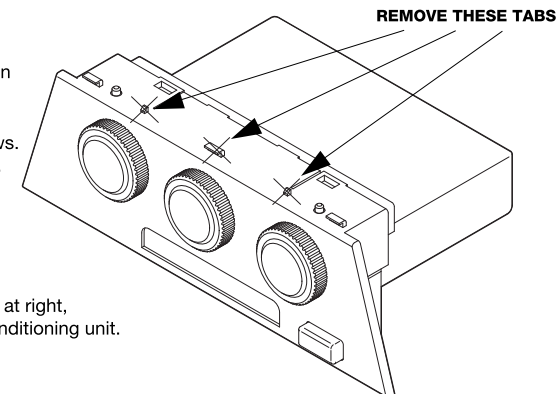
If you have any further questions, call our toll free technical help line at: **1-800-621-3695x3**

FACTORY STEREO REMOVAL

2001-05 LEXUS IS300

DASH DISASSEMBLY

1. Remove bottom panel containing traction control using panel removal tool.
2. Using small pick, remove felt tray from top panel. Extract (2) Phillips head screws. Pull out top panel by pulling toward you.
3. Extract (4) 10mm bolts securing stereo. Disconnect and remove.



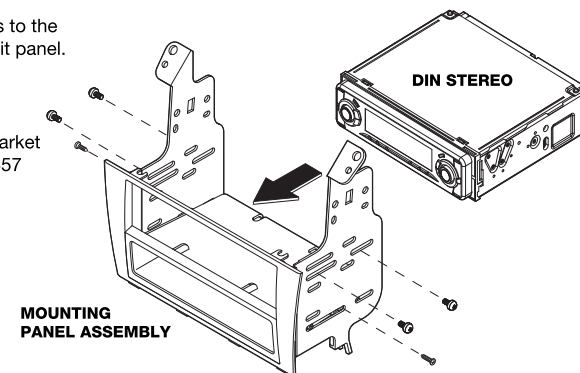
A/C CONTROLS TAB REMOVAL

1. Remove tabs indicated in the illustration at right, for proper fit of the dash kit to the air conditioning unit.

MOUNTING THE STEREO

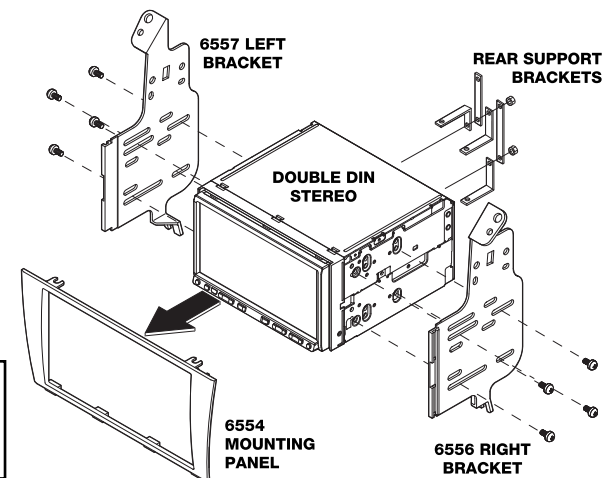
DIN-ISO MOUNT

1. Snap the 6556 and 6557 brackets to the mounting locations on the 6554 kit panel. Secure the 6555 pocket to the brackets with the supplied hardware on the installation kit.
2. Align position and bolt the aftermarket DIN-ISO head unit to the 6556/6557 brackets. Use hardware supplied with aftermarket stereo to secure the mounting brackets to the stereo.
Note: If hardware is not supplied with aftermarket stereo use hardware from factory stereo.



DOUBLE DIN-ISO MOUNT

1. Snap the 6556 and 6557 brackets to the mounting locations on the 6554 kit panel.
2. Align, position and bolt the aftermarket Double Din head unit to the 6556/6557 brackets to secure the mounting brackets to the stereo.
Note: If hardware is not supplied with aftermarket stereo use hardware from factory stereo.



NOTE:
REAR SUPPORTING THE STEREO ADDS TO THE INSTALLATION'S STRUCTURAL INTEGRITY. REAR SUPPORT AVAILABLE SEPARATELY.